



ELECTROLUX OUTDOOR PRODUCTS

PNC	Type/Prefix/nd	Model	Market
9633522-01	01	EasiBag	UK

Number of Pages 1 of 3

Factory: FLM - Aycliffe

Publication Number: AP0501001

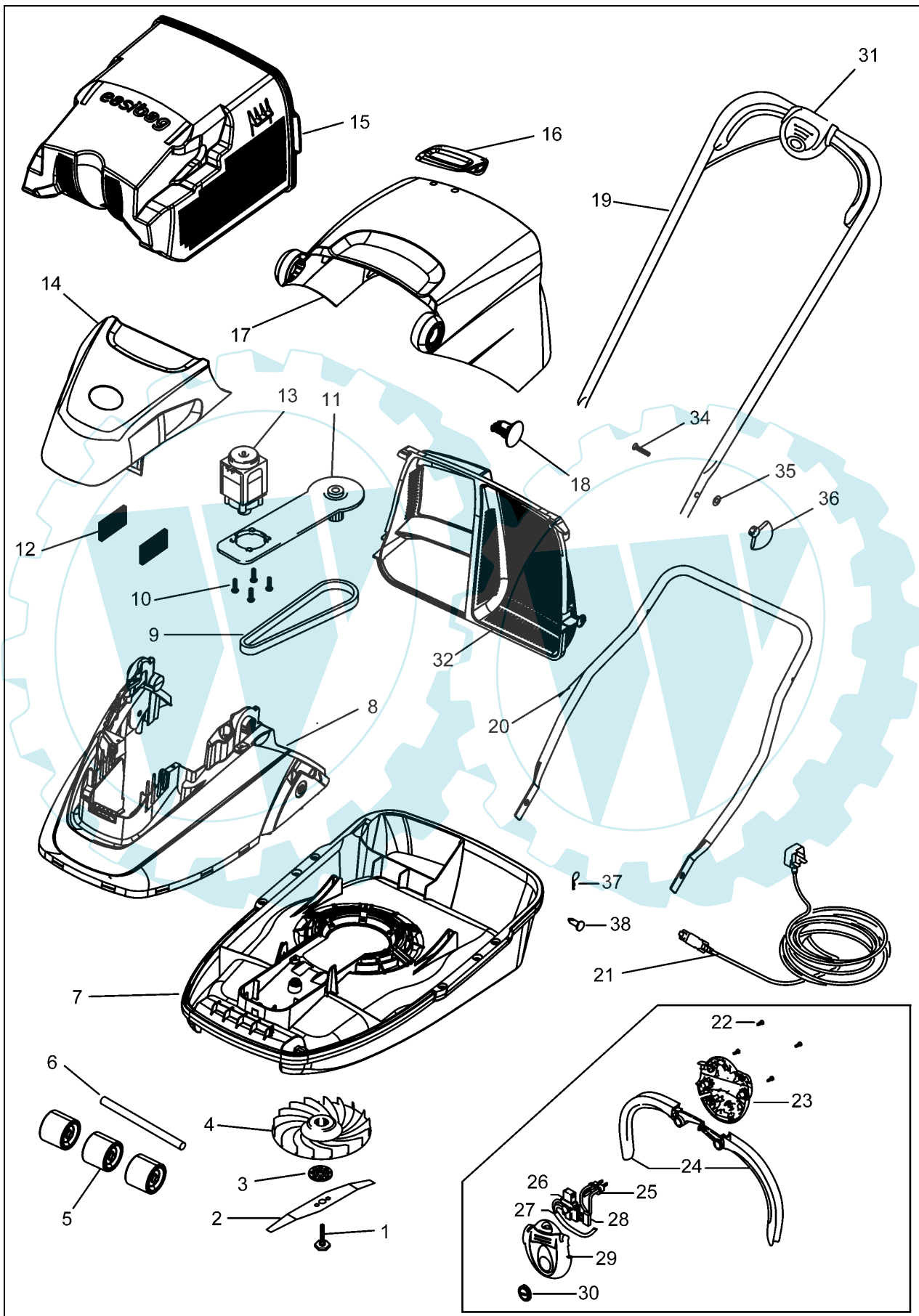
Publication Date: 07/12/05

Product Group: OM 78

Electric Hover

Sub Group: 7890

Page No. 2of 3	963352201	Flymo Easibag
OM	Electric Hover Collect	Newton Aycliffe



Page No. 3 of 3	963352201	Flymo Easi Bag
OM	Electric Hover Collect	Newton Aycliffe

Item	Part Number	Description	Qty	Item	Part Number	Description	Qty
1	513760800	Blade Bolt	1	36	512815564	Wing Knob	2
2	511835787	Blade Pre packed	1	37	51402300	Clip	2
3	513811001	Blade Spacer	1	38	514009203	Pivot Pin	2
4	511722704	Impeller	1				
5	512773500	Roller Segment	3				
6	514961100	Axle Tube	1				
7	510716000	Deck	1				
8	510716200	Casing	1				
9	513050300	Belt	1				
10	513119100	Screw	4				
11	513952200	Motor Drive Assy spares	1				
12	513833900	Filter	2				
13	511789964	Motor	1				
14	512827800	Motor Cover	1				
15	510716300	Grassbox	1				
16	511972300	Handle Lid	1				
17	510716100	Lid Easi Bag	1				
18	512825300	Pivot Pins	2				
19	512792768	Handle Upper	1				
20	511969100	Lower Handle	1				
21	512725003	Cable	1				
22	513087300	Screw	4				
23	511945768	Switchbox Lower	1				
24	511945964	Lever	2				
25	512769600	Pin Retainer	1				
26	513861400	Switch	1				
27	514881456	Lead	1				
28	514839701	Capacitor	1				
29	511945668	Switchbox Upper	1				
30	513103064	Button Lock off	1				
31	511970800	Switchbox Assy	1				
32	514965500	Cover	1				
33	512827687	Replacement Bags x10	1				
34	514919801	Bolt	2				
35	514026600	Washer	2				